

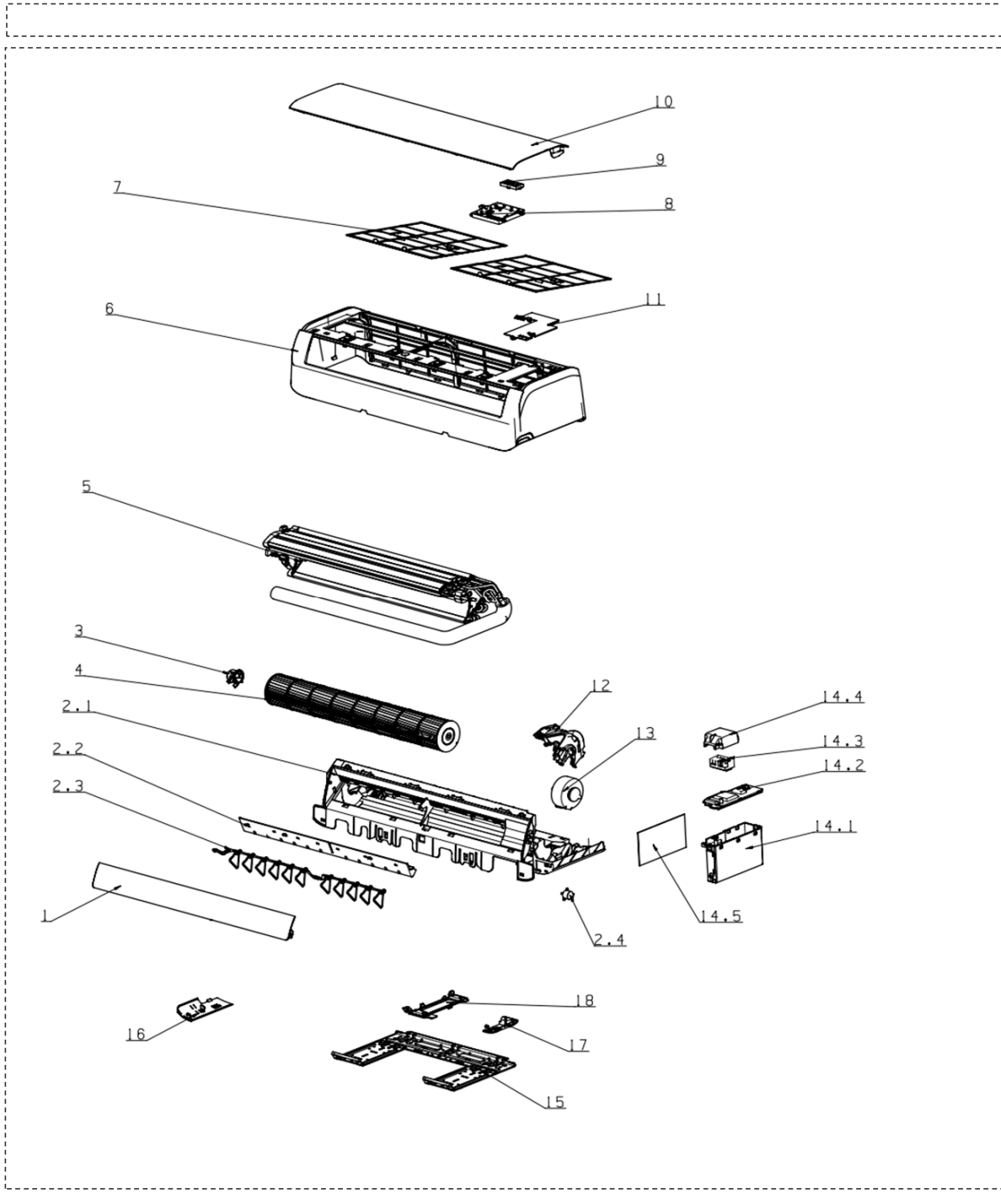
53 wall-mounted internal machine exploded view

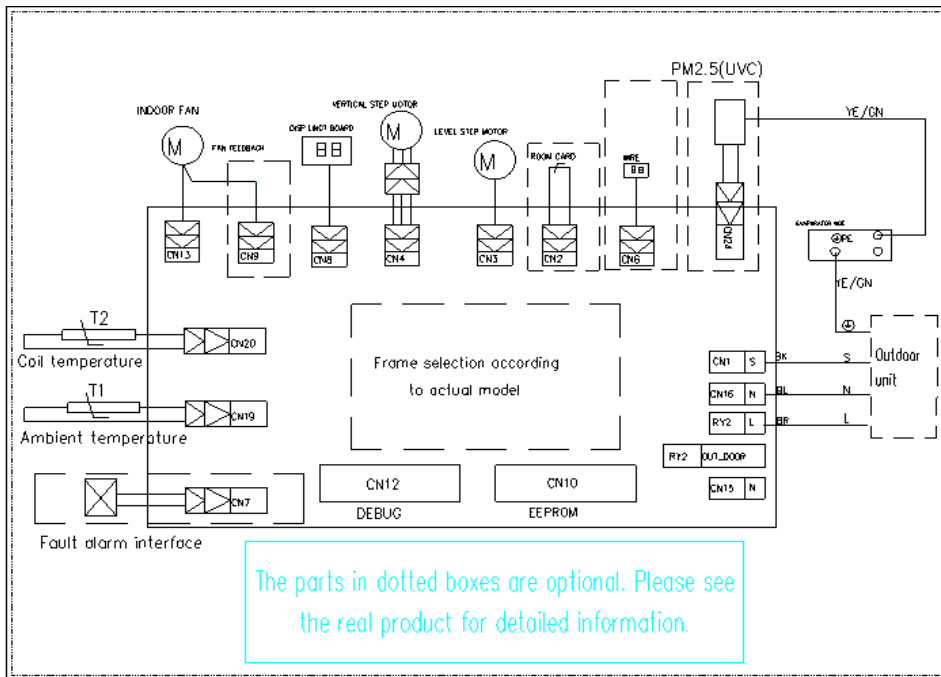
Frequency conversion split indoor unit (polar white 2P7-17U/DC)

208/230V-1Ph-60Hz

821040300091

US1-KFR-53G/BPR1Y-GSC(K5)





Exploded view list of wall-mounted internal machine

No.	Part Name	Quantity	Sale code	BOM code	Remark
1	Louver	1		801140300027	
2	Base assy	1		801140390044	
2.1	Base	1		P0000300949	
2.2	Volute tongue	1		801140300048	
2.3	Swing Louver	12		801140300049	
2.4	Louver motor	1		802400200021	
3	Bearing block of flow fan	1		801140300017	
4	Cross flow fan	1		801100200020	
5	Evaporator components	1		801540300007	
6	Middle frame assy	1		801140300034	
7	Air Filter	2		801140300030	
8	Display lamp cover	1		801140300018	
9	Display lamp	1		803300700105	without WIFI port
10	Front Panel	1		801140390038	
11	Middle frame cover plate	1		801140300014	
12	Motor Clamp	1		801140300029	
13	Motor	1		802400300094	
14	Electronic control components	1		803340390076	
14.1	Electric box	1		801140300043	
14.2	Electric box cover	1		801140300013	
14.3	Terminal	1		802404700003	
14.4	Terminal cover	1		801140390042	
14.5	Electric control plate assy (PCB)	1		801340390022	
15	Wall-mounting frame	1		801240300014	
16	Left cover of base	1		801140300031	
17	Right cover of base	1		801140300032	
18	Pipe clamp	1		801140300016	
19	Temperature senser	1		802300400115	T2
20	Temperature senser	1		802300400116	T1