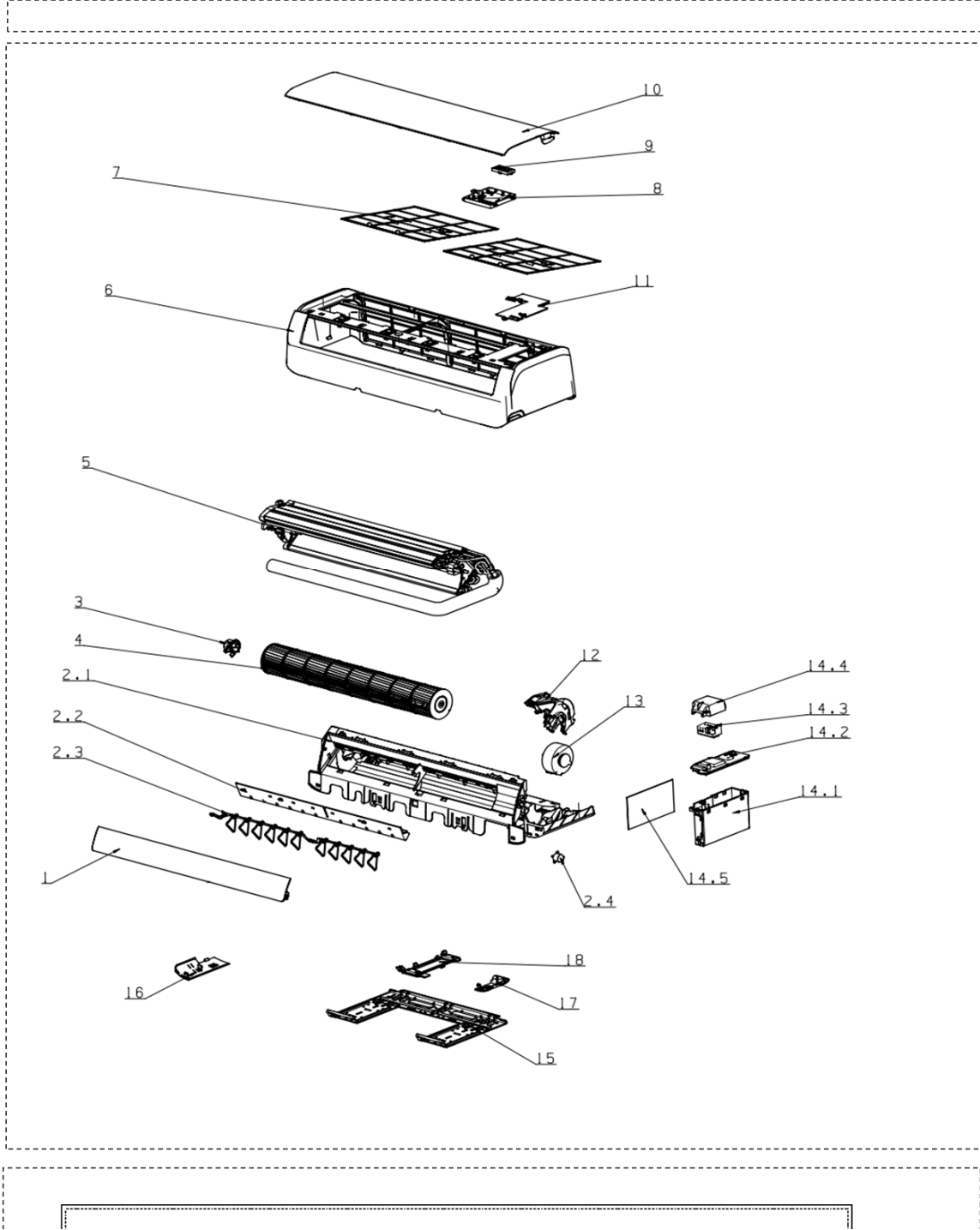


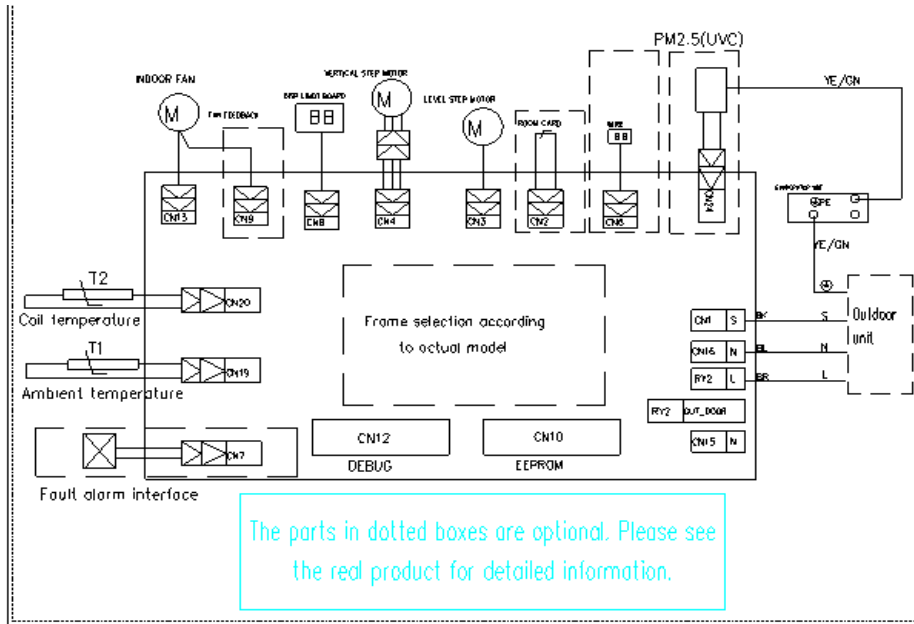
### 35 Wall-mounted internal machine exploded view

Frequency conversion split indoor unit (polar white 2P7-15U/AC)  
208-230V/1Ph/60Hz

821040300090

US1-KFR-35G/BPDR1Y-GSB (K0)





Exploded view list of wall-mounted internal machine

No.	Part Name	Quantity	Sale code	BOM code	Remark
1	Louver	1		801140300006	
2	Base assy	1		801140390043	
2.1	Base	1		P0000300946	
2.2	Volute tongue	1		801140300036	
2.3	Swing Louver (left)	5		801140300045	
2.4	Swing Louver (right)	6		801140300046	
2.5	Louver motor	1		802400200022	
3	Bearing block of flow fan	1		801140300017	
4	Cross flow fan	1		801100200019	
5	Evaporator components	1		801540300005	
6	Middle frame assy	1		801140300004	
7	Air Filter	2		801140300012	
8	Display lamp cover	1		801140300018	
9	Display lamp	1		803300700105	without WIFI port
10	Front Panel	1		801140390039	
11	Middle frame cover plate	1		801140300014	
12	Motor Clamp	1		801140300011	
13	Fan motor	1		802400300088	
14	Eletronic control components	1		803340390075	
14.1	Electric box	1		801140300043	
14.2	Electric box cover	1		801140300013	
14.3	Terminal	1		802404700003	
14.4	Terminal cover	1		801140390042	
14.5	Electric control plate assy (PCB)	1		801340390021	
15	Wall-mounting frame	1		801240300010	
16	Left cover of base	1		801140300021	
17	Right cover of base	1		801140300022	
18	Pipe clamp	1		801140300016	
19	Temperature sensor	1		802300400115	T2
20	Temperature sensor	1		802300400116	T1