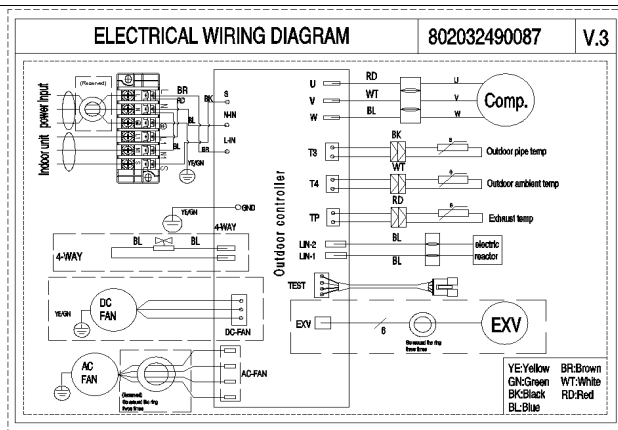
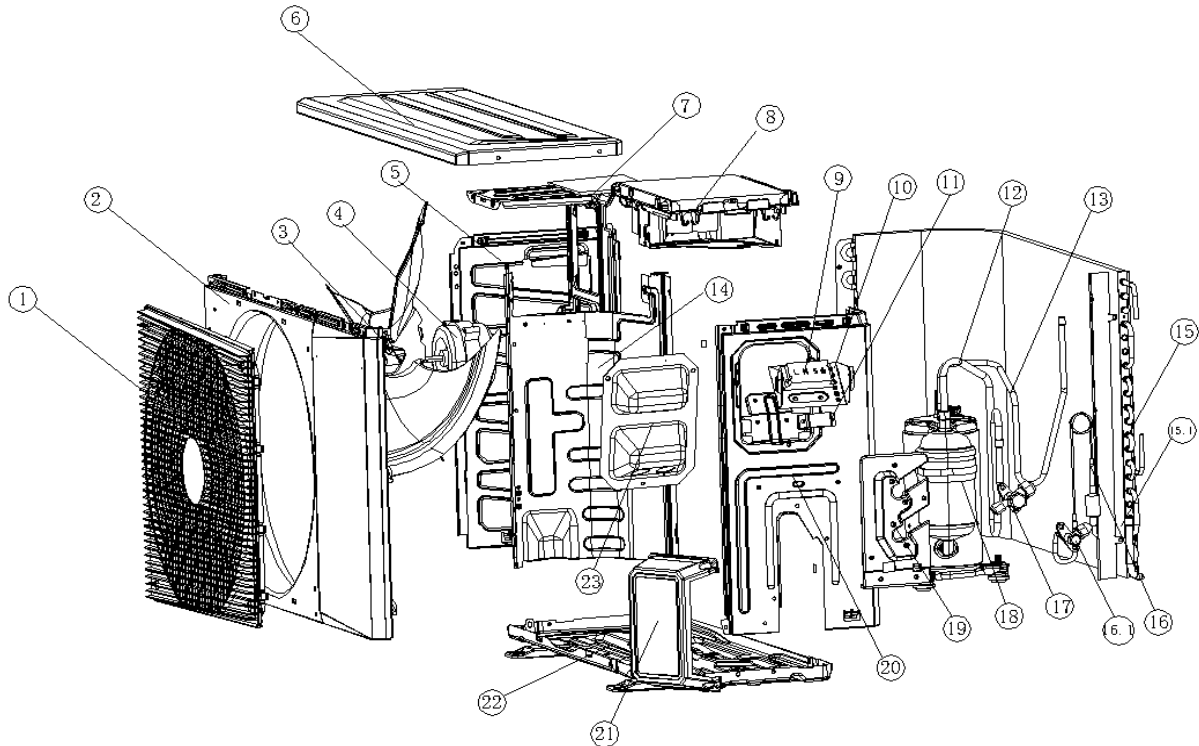


Product name: Frequency conversion split outdoor unit (camel gray Meizhi KSN98D22UFZ 1P7
 Project code: US1-KFR-26W/BPDR1Y-AA01 (K0)
 Product Code: 821039000119
 Power specification: 208/230V-1Ph-60Hz



No.	Part Name	Quantity	Sale code	BOM code
1	Air Grille	1		802939000002
2	Front panel	1		801239000057
3	Axial Fan Blade	1		801100300046
4	DC Motor	1		802400300102
5	Left side panel	1		801239000056
6	Top cover assembly	1		801242001867
7	Motor bracket assembly	1		801239000052
8	Outdoor main PCB	1		801339090012
9	Terminal block mounting plate	1		802404700004
10	Welded parts of electronic control mounting plate	1		801239000046
11	Pressing Button	1		801102000016
12	Suction Pipe Assembly	1		801639000085
13	Discharge Pipe Assembly	1		801639000086
13.1	4-way valve	1		801600100023
13.2	4-way valve coil	1		802419900281
14	Middle separating board assembly	1		801239000065
15	Condenser assembly	1		801539000009
15.1	Condenser	1		801539000011
16	Capillary parts	1		801639090762
16.1	Cut-off valve-C	1		801600200032
17	Cut-off valve	1		801600300062

18	Inverter compressor	1		801401400179	
19	Valve holder	1		801228200171	
20	Right side panel parts	1		801239000051	
21	Stop valve cover	1		801137000002	
22	Base Pan	1		801239000048	
23	Big Handler	1		801239000075	
24	Temperature senser	1		802300400190	T3/T4/T5