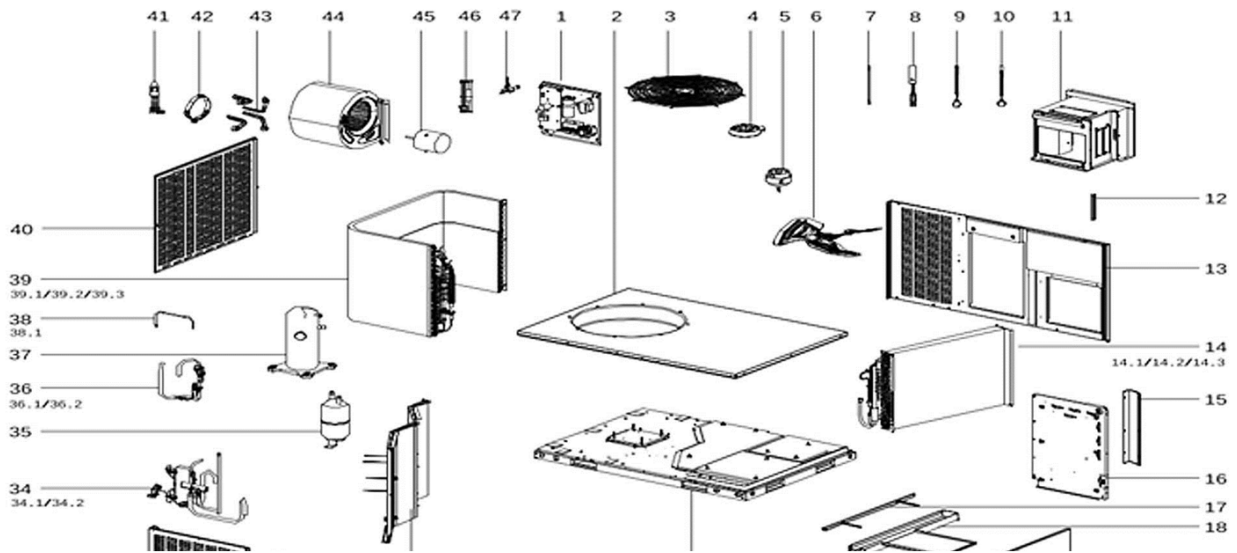
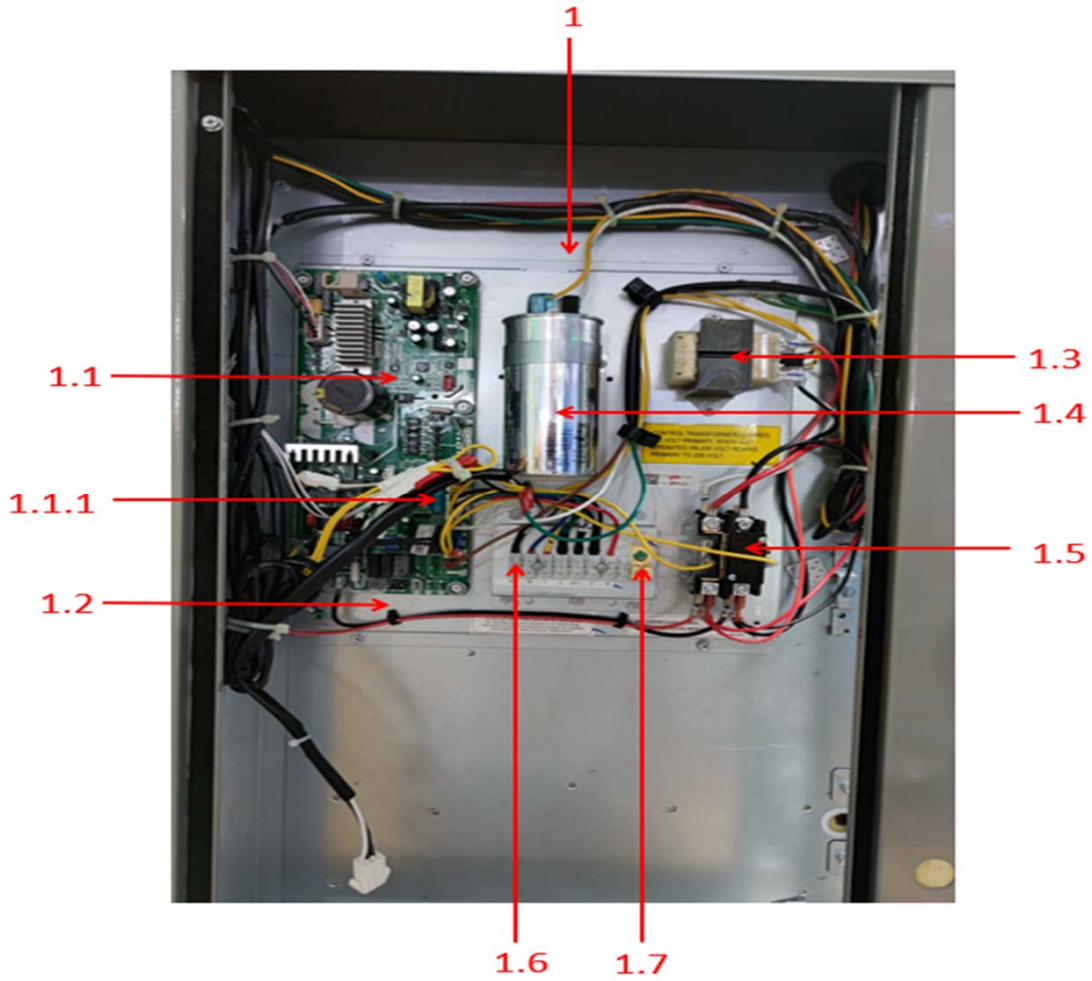
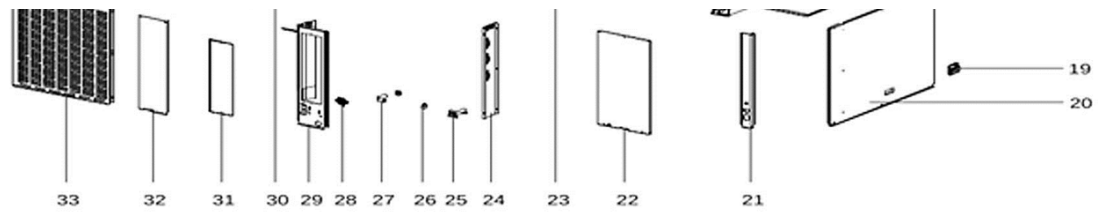


# Exploded View

MRC-60HWN1-M134L





EX_ID	Spare Parts Code	Part Name(EN)	Qty.
1	17227700001219	E-part box assembly	1
1.1	17127700001146	Main control board assembly	1
1.1.1	11203001000042	Fuse	1
1.2	12227700010080	Electric control box mounting plate	1
1.3	11203103000194	Linear Transformer	1
1.4	17400103000133	Capacitor	1
1.5	11203502000032	AC contactor	1
1.6	17400401000196	Wire joint, 8P	1
1.7	11201708000008	Wiring Terminal	1
2	12227700A07421	Top cover assembly	1
3	12927700000085	Top Cover Guard	1
4	12123000000464	Motor installation board ass'y	1
5	11002015015937	Brushless DC Motor	1
6	12200104000038	Fan	1
7	17401110000022	Ground wire	1
8	17400513000066	Discharge temp sensor	1
9	11201007000165	Pipe Temperature Sensor	1
10	11201007000025	Room Temperature Sensor	1
11	12227700010041	Duct components	1
12	12227700009070	Fixing board	1
13	12227700A07671	Internal panel assembly	1
14	15827700001233	Evaporator assembly	1
14.1	15827700001232	Evaporator	1
14.2	15423000005879	Evaporator input pipe assembly	1
14.3	15227700000109	Evaporator output pipe assembly	1
15	12227700003967	Condenser connection board assembly	1
16	12227700010121	Condenser connection board assembly	1
17	12227700003996	Beam assembly	1
18	12227700A03612	383	1
19	12100701000816	Small handle	1
20	12227700A07679	Internal panel assembly	1
21	12227700A07669	Column assembly	1
22	12227700A07772	Electric control box cover assembly	1
23	12227700A07768	Chassis part	1
24	12227700010120	Middle separating plate assembly	1
25	12127700000019	Drainage pipe	1
26	12200201000001	Throat bander	2
27	12627700000016	Connecting pipe ass'y	1
28	12100303000036	Temp. sensor clamp	1
29	12227700A07674	Column assembly	1
30	12227700009084	Partition board assembly	1
31	12227700A03609	Cover	1
32	12227700A07770	Cover	1
33	12227700A07675	Preventer plate	1
34	15427700002315	Four-way valve assembly	1
34.1	15500216002163	Four-way valve kit	1
34.2	17400516000988	Pressure controller	1
35	15500508001115	Accumulator cylinder	1
36	15427700002319	Suction pipe assembly	1
36.1	17400516000089	Pressure switch	1
36.2	15427000001439	Fusible plug assembly	1
37	11102010000369	Fixed Speed Scroll compressor	1
38	15427700002323	Throttle assembly	1
38.1	15500210003569	Throttle	1
39	15827700000452	Condenser ass'y	1
39.1	15827700000453	Condenser	1
39.2	15127700004121	Input pipe ass'y	1
39.3	15127700004438	Output pipe ass'y	1
40	12227700A03608	Rear net	1
41	17401203001164	Joint wires ass'y, compressor	1
42	12223000001993	Motor bracket II	1
43	12223000001932	Supporter subassembly of fan motor	4
44	12200101000053	Centrifugal fan	1
45	11002015015228	Brushless DC Motor	1
46	17401203020512	Strong electric cable group	1
47	12227700009079	Line board assembly	1