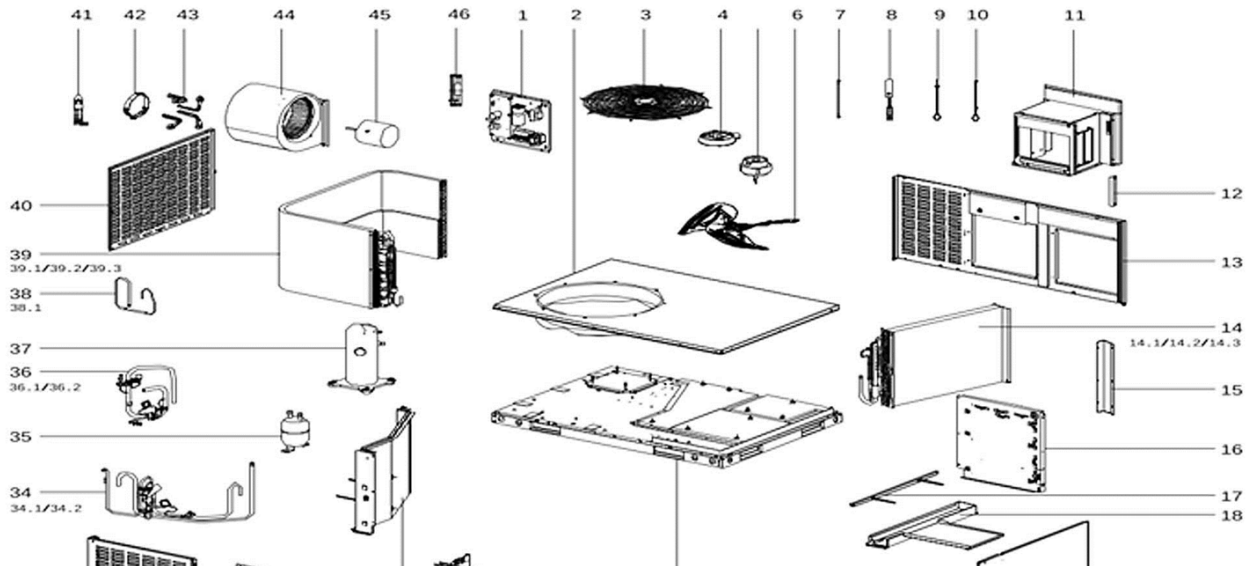
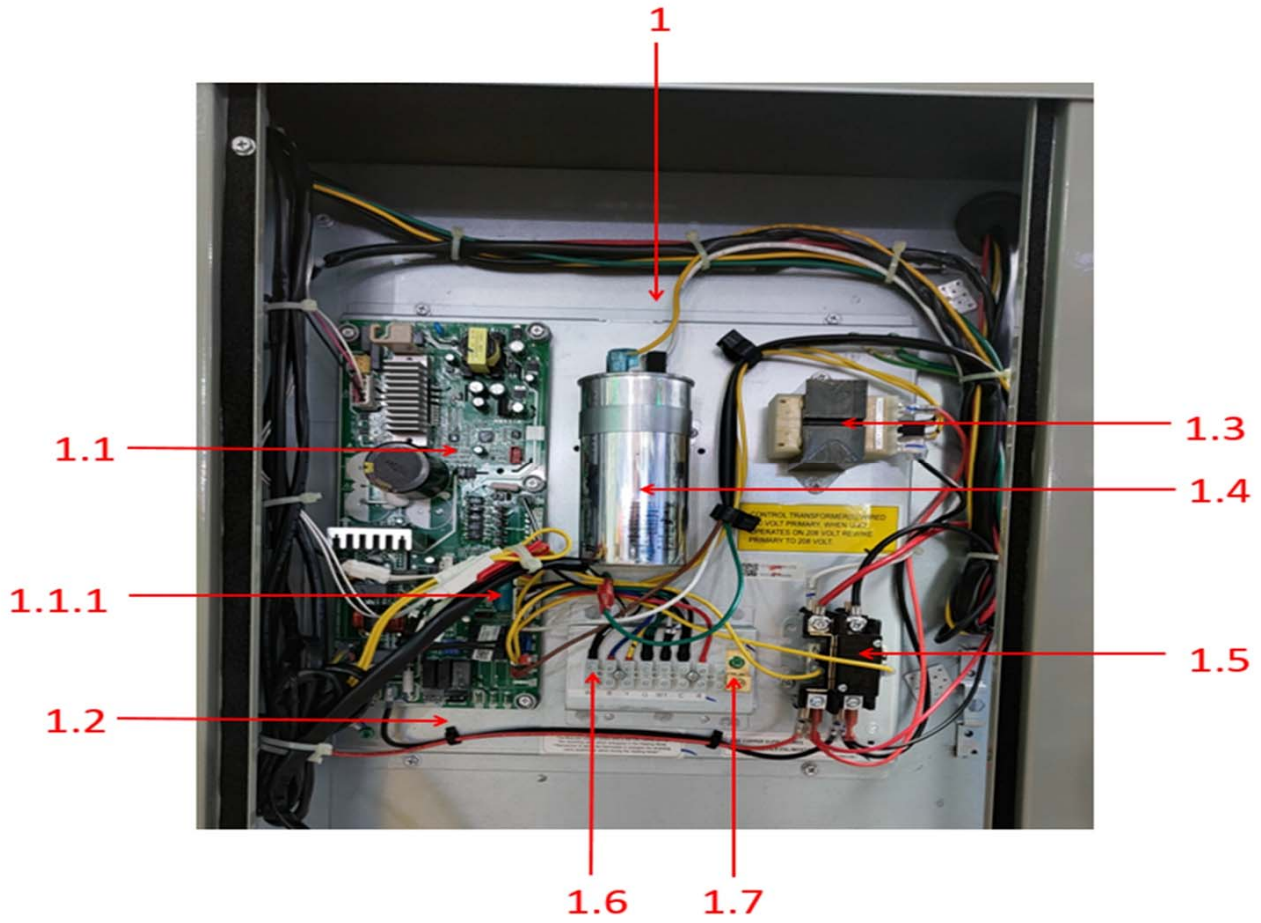
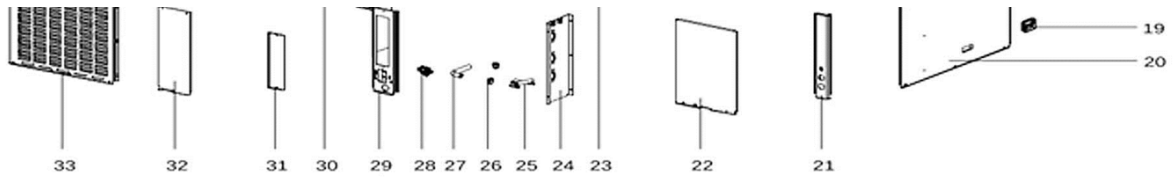


Exploded View

MRC-36HWN1-M134L





EX_ID	Spare Parts Code	Part Name(EN)	Qty.
1	17227700001218	E-part box assembly	1
1.1	17127700001146	Main control board assembly	1
1.1.1	11203001000042	Fuse	1
1.2	12227700010080	Electric control box mounting plate	1
1.3	11203103000194	Linear Transformer	1
1.4	17400103000150	Capacitor	1
1.5	11203502000032	AC contactor	1
1.6	17400401000196	Wire joint, 8P	1
1.7	11201708000008	Wiring Terminal	1
2	12227700A07864	Top cover assembly	1
3	12923000000028	Grille, top cover	1
4	121230000000464	Motor installation board ass'y	1
5	11002015015937	Brushless DC Motor	1
6	12200104000014	Propeller fan	1
7	17401110000022	Ground wire	1
8	17400513000066	Discharge temp sensor	1
9	11201007000165	Pipe Temperature Sensor	1
10	11201007000025	Room Temperature Sensor	1
11	12227700010040	Duct components	1
12	12227700009070	Fixing board	1
13	12227700A07663	Internal panel assembly	1
14	15827700001230	Evaporator assembly	1
14.1	15827700001231	Evaporator	1
14.2	15423000005878	Evaporator input pipe assembly	1
14.3	15227700000110	Evaporator output pipe assembly	1
15	12227700004061	Condenser connection board assembly	1
16	12227700010123	Condenser connection board assembly	1
17	12227700004084	Beam assembly	1
18	12227700A03595	Drainage pan assembly	1
19	12100701000816	Small handle	1
20	12227700A07676	Internal panel assembly	1
21	12227700A07670	Column assembly	1
22	12227700A07769	Electric control box cover assembly	1
23	12227700A07771	Chassis part	1
24	12227700010124	Middle separating plate assembly	1
25	12127700000019	Drainage pipe	1
26	12200201000001	Throat bander	2
27	12627700000036	Connecting pipe ass'y	1
28	12100303000036	Temp. sensor clamp	1
29	12227700A07667	Column assembly	1
30	12227700009083	Partition board assembly	1
31	12227700A03592	Cover	1
32	12227700A07763	Cover	1
33	12227700A07673	Preventer plate	1
34	15427700002316	Four-way valve assembly	1
34.1	15500216002163	Four-way valve kit	1
34.2	17400516000988	Pressure controller	1
35	15500508000080	Accumulator cylinder	1
36	15427700002318	Suction pipe assembly	1
36.1	17400516000089	Pressure switch	1
36.2	15427000001439	Fusible plug assembly	1
37	11102010000410	Fixed Speed Scroll compressor	1
38	15427700002322	Throttle assembly	1
38.1	15500210004428	Two-way throttle valve	1
39	15827700000454	Condenser ass'y	1
39.1	15827700000455	Condenser	1
39.2	15127700004139	Condenser inlet pipe ass'y	1
39.3	15127700004437	Condenser outlet pipe ass'y	1
40	12227700A03591	383	1
41	17401203001164	Joint wires ass'y, compressor	1
42	12223000001993	Motor bracket II	1
43	12223000001932	Supporter subassembly of fan motor	4
44	12200101000054	Centrifugal fan	1
45	11002015015938	Brushless DC Motor	1
46	17401203020512	Strong electric cable group	1