

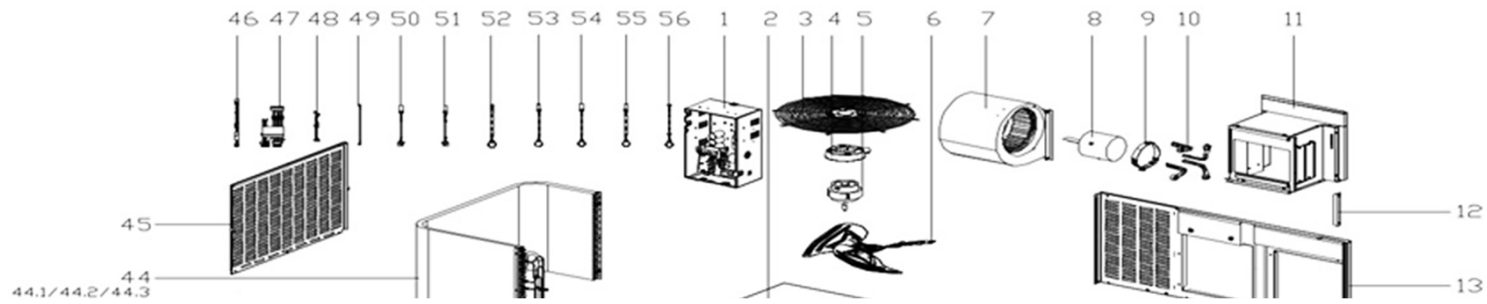
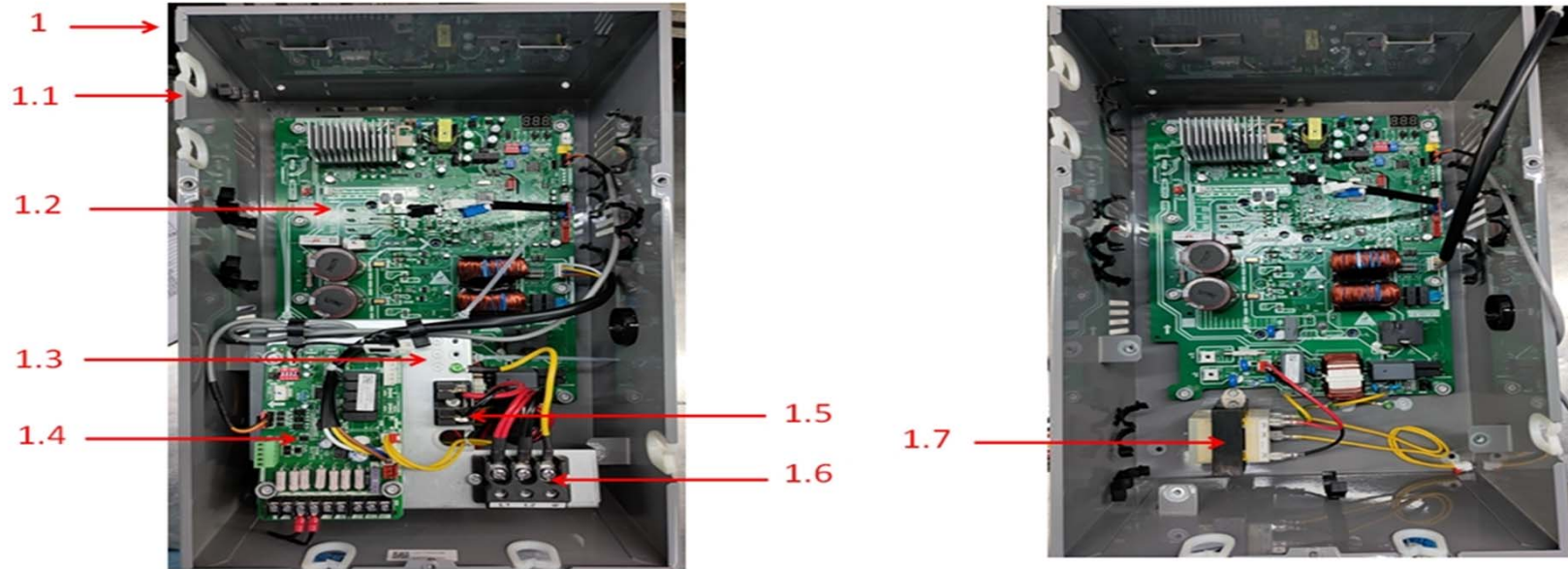
Exploded View

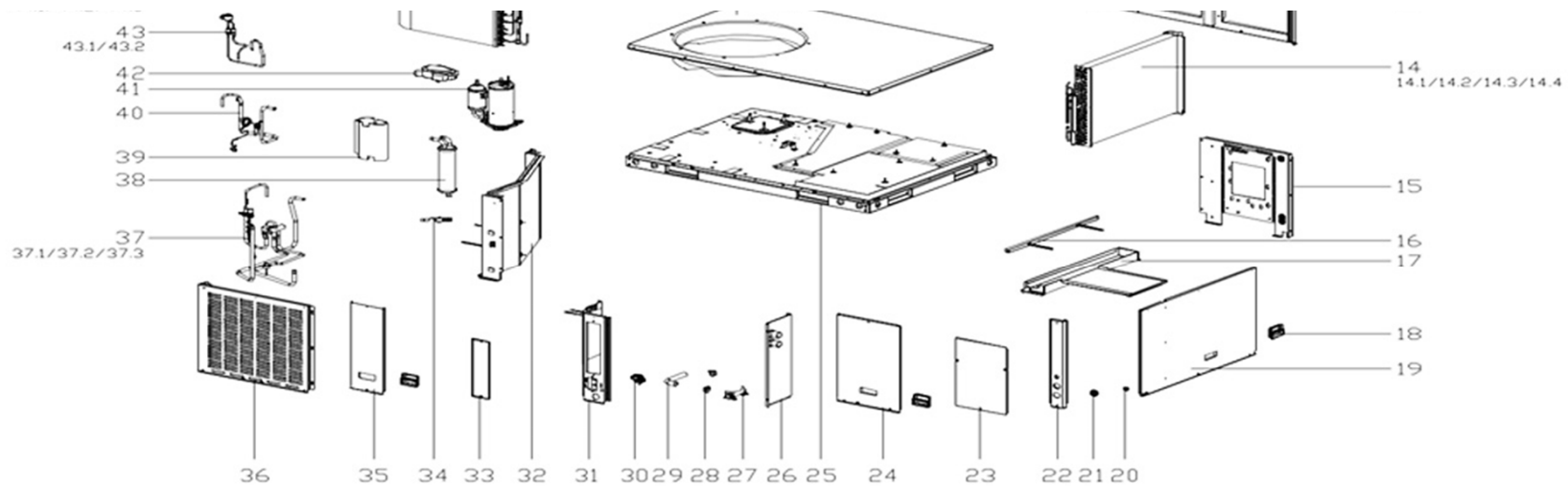
22027710000995

G0001615

MRC-36HWD1N1-M16A

62277-H4582601





| EX_ID | Spare Parts Code | Part Name(EN) | Qty. |
|-------|------------------|--|------|
| 1 | 17227700A02273 | E-part box assembly | 1 |
| 1.1 | 12227700A07660 | Electronic control box assembly | 1 |
| 1.2 | 17123000008517 | Module board assembly | 1 |
| 1.3 | 12227700009062 | Electrical appliance mounting plate assembly | 1 |
| 1.4 | 17127700000886 | Main control board assembly | 1 |
| 1.5 | 17400401000208 | terminal block,2P | 1 |
| 1.6 | 17400401003296 | Wire joint | 1 |
| 1.7 | 11203103000194 | Linear Transformer | 1 |
| 2 | 12227700A07664 | Top cover assembly | 1 |
| 3 | 12923000000028 | Grille, top cover | 1 |
| 4 | 12123000000464 | Motor installation board ass'y | 1 |
| 5 | 11002015015937 | Brushless DC Motor | 1 |
| 6 | 12200104000014 | Propeller fan | 1 |
| 7 | 12200101000054 | Centrifugal fan | 1 |
| 8 | 11002015015938 | Brushless DC Motor | 1 |
| 9 | 12223000001993 | Motor bracket II | 1 |
| 10 | 12223000001932 | Supporter subassembly of fan motor | 4 |
| 11 | 12227700010040 | Duct components | 1 |
| 12 | 12227700009070 | Fixing board | 1 |

| | | | |
|------|----------------|--------------------------------------|---|
| 13 | 12227700A07663 | Internal panel assembly | 1 |
| 14 | 15827700001230 | Evaporator assembly | 1 |
| 14.1 | 15827700001231 | Evaporator | 1 |
| 14.2 | 15423000005878 | Evaporator input pipe assembly | 1 |
| 14.3 | 15227700000110 | Evaporator output pipe assembly | 1 |
| 15 | 12227700004061 | Condenser connection board assembly | 1 |
| 15 | 12227700009088 | Evaporator connecting plate assembly | 1 |
| 16 | 12227700004084 | Beam assembly | 1 |
| 17 | 12227700A03595 | Drainage pan assembly | 1 |
| 18 | 12100702000045 | Handle | 3 |
| 19 | 12227700A07676 | Internal panel assembly | 1 |
| 20 | 12127700000003 | Wire clamp | 1 |
| 22 | 12227700A07670 | Column assembly | 1 |
| 23 | 12227700A07678 | Electric control box cover | 1 |
| 24 | 12227700A07662 | Electric control box cover assembly | 1 |
| 25 | 12227700A07677 | Chassis part | 1 |
| 26 | 12227700009063 | Middle separating plate assembly | 1 |
| 27 | 12127700000019 | Drainage pipe | 1 |
| 28 | 12200201000001 | Throat bander | 2 |
| 29 | 12627700000036 | Connecting pipe ass'y | 1 |
| 30 | 12100303000036 | Temp. sensor clamp | 1 |
| 31 | 12227700A07667 | Column assembly | 1 |
| 32 | 12227700009083 | Partition board assembly | 1 |
| 33 | 12227700A03592 | Cover | 1 |
| 34 | 12100304000003 | Orientation line | 1 |
| 35 | 12227700A07666 | Cover | 1 |
| 36 | 12227700A07673 | Preventer plate | 1 |
| 37 | 15427700002230 | Four-way valve assembly | 1 |
| 37.1 | 15500216002164 | Four-way valve kit | 1 |
| 37.2 | 17400516000688 | Pressure controller | 1 |
| 37.3 | 11201008000572 | Pressure sensor | 1 |
| 38 | 15500501001808 | Gas-liquid separator | 1 |
| 39 | 12427000000565 | Sponge | 1 |
| 40 | 15427700002130 | Suction pipe assembly | 1 |
| 41 | 11103020004300 | DC Inverter Rotary Compressor | 1 |
| 42 | 12627000000606 | Compressor, rubber cap | 1 |
| 43 | 15427700A00315 | Expansion valve assembly | 1 |
| 43.1 | 15500213001329 | Electronic Expansion Valve Suite | 1 |
| 43.2 | 15500504000130 | Filter | 2 |
| 44 | 15827700001108 | Condenser ass'y | 1 |
| 44.1 | 15827700001109 | Condenser | 1 |
| 44.2 | 15127700006511 | Input pipe ass'y | 1 |
| 44.3 | 15127700006513 | Output pipe ass'y | 1 |
| 45 | 12227700A03591 | 383 | 1 |
| 46 | 17402001000919 | Compressor electric heater | 1 |
| 47 | 17401203019272 | Strong electric cable group | 1 |
| 48 | 17401203019149 | Compressor wire joint assembly | 1 |
| 49 | 17401108000195 | Ground wire | 1 |

| | | | |
|----|----------------|------------------------------|---|
| 50 | 11201007005763 | Discharge temperature sensor | 1 |
| 51 | 11201007000277 | Pipe Temperature Sensor | 1 |
| 52 | 11201007000195 | Room Temperature Sensor | 1 |
| 53 | 11201007000165 | Pipe Temperature Sensor | 1 |
| 54 | 11201007000097 | Pipe Temperature Sensor | 1 |
| 55 | 11201007000382 | Pipe Temperature Sensor | 1 |
| 56 | 11201007000025 | Room Temperature Sensor | 1 |